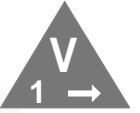


OSD8210T/OSD8210R HD/SDI TX/RX PAIR



APPLICATIONS

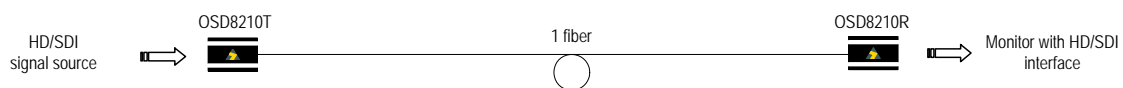
- σ Any digital broadcast application such as studio signal routing and temporary OB or studio links
- σ Remote camera links
- σ Campus digital video distribution

FEATURES AND BENEFITS

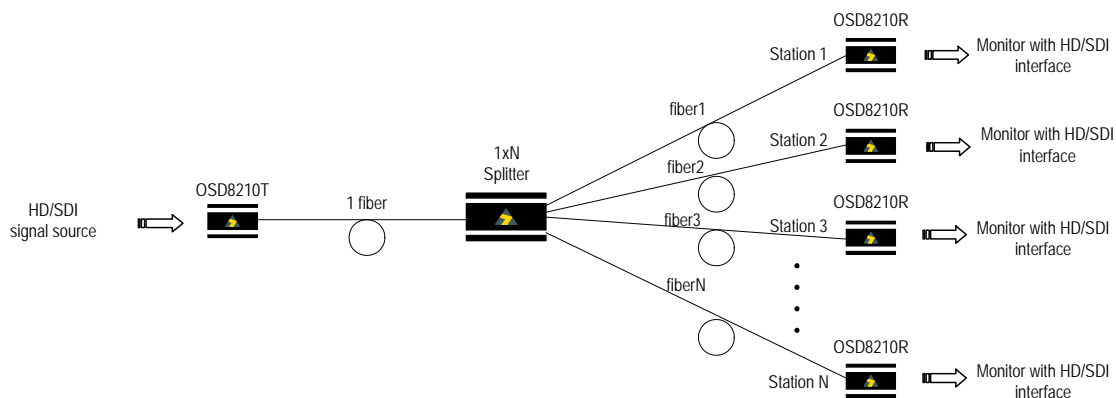
- σ Available with built in user bypassable automatic reclocking at 143Mbps, 270Mbps, 360Mbps, 540Mbps and 1.485Gbps
- σ Operates from 19.4Mbps to 1.485Gbps in non-reclocked mode
- σ Compatible with SMPTE 310M, 292M, 259M, 297M and 372M and 424M
- σ Automatic equalization of up to 350m @ 270Mbps and 140m @ 1.485Gbps of Belden 1694A cable
- σ Available in 1310nm, 1550nm and all eighteen CWDM wavelengths
- σ Capable of operation over more than 50km
- σ Immune to pathological signals
- σ Extremely small and rugged unit is suitable for both permanent and temporary throwdown applications
- σ USB power capable or from any 5 to 20VDC source

TYPICAL APPLICATION DESIGN

1-Tx to 1-Rx



1-Tx to N-Rx



ORDERING INFORMATION

OSD8210T	HD/SDI Transmitter Module
OSD8210R	HD/SDI Receiver Module
Option X	Built in reclocker for 143Mbps, 270Mbps, 360Mbps, 540Mbps and 1.485Gbps



SPECIFICATIONS

ELECTRICAL

Input/Output Impedance	75Ω
Input/Output Level	800 mVpp nominal
Coax Equalization	350m @ 270Mbps 140m @ 1.485Gbps
SDI Connector	BNC female socket
Power Connector	Mini AB USB socket

OPTICAL

Transmitter Wavelength	1310nm ±30nm (1550nm and CWDM wavelengths are optionally available)
Transmitter Coupled Power	>-7dBm (0dBm and +2dBm are optional)
Receiver Operating Wavelength	1200 to 1600nm
Receiver Sensitivity	<-18dBm for 1 x 10 ⁻⁹ Bit Error Rate
Optical Link Budget	>11dB at 1310nm (>20km of singlemode fiber) >20dB at 1550 with +2dBm laser (>60km of singlemode fiber)
Receiver Saturation	>0dBm
Optical Connectors	ST standard

PHYSICAL

	OSD8210T Transmitter	OSD8210R Receiver
Power Requirements	+5 to 20VDC	+5 to 20VDC
Enclosure	Strong metal case	Strong metal case
Case Dimensions (mm)	55L x 19W x 25H	55L x 19W x 25H
Weight	50g	50g
Indicators	Loss of electrical signal Reclocker locked *	Loss of optical signal Reclocker locked *
Controls	Reclocker Bypass * Coax equalizer bypass	Reclocker bypass *
Operating Temperature	-20 to 75°C	-20 to 75°C
Relative Humidity	0 to 95% non-condensing	0 to 95% non-condensing

* Only for units fitted with reclocker (Option X)

Doc. ID: 102821001